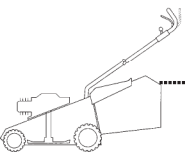


# PAN 504 TR

# PAN 504 TR-E

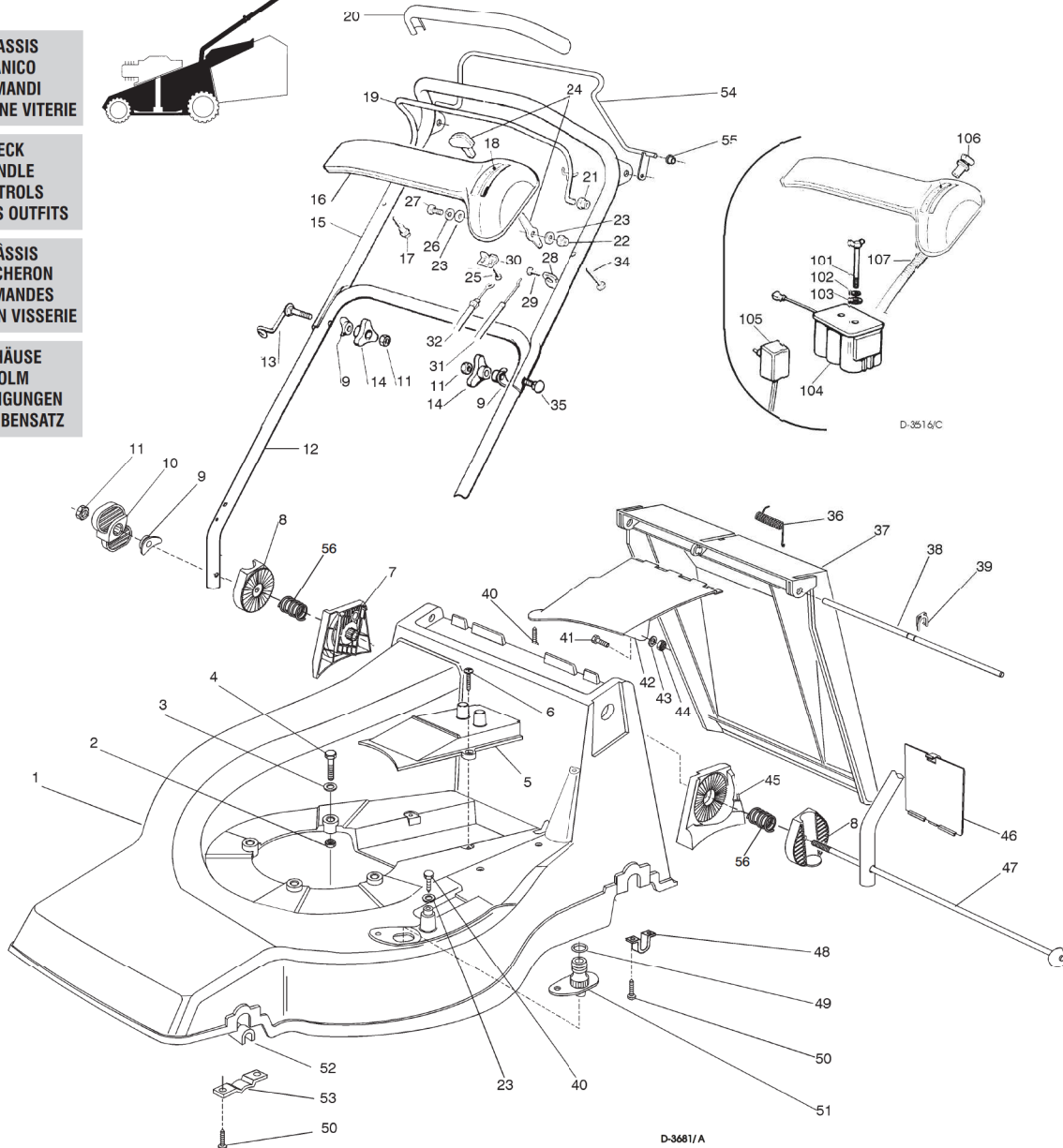


**CHASSIS  
MANICO  
COMANDI  
DOTAZIONE VITERIE**

**DECK  
HANDLE  
CONTROLS  
SCREWS OUTFITS**

**CHÂSSIS  
MANCHERON  
COMMANDES  
DOTATION VISSERIE**

**GEHÄUSE  
HOLM  
BETÄTIGUNGEN  
SCRAUBENSATZ**



**SPARE PARTS CATALOGUE**

**ERSATZTEILKATALOG**

**GB**

**D**

**CATALOGO DELLE PARTI  
DI RICAMBIO**

**CATALOGUE DES PIÈCES  
DE RECHANGE**

**I**

**F**

T-3661/A

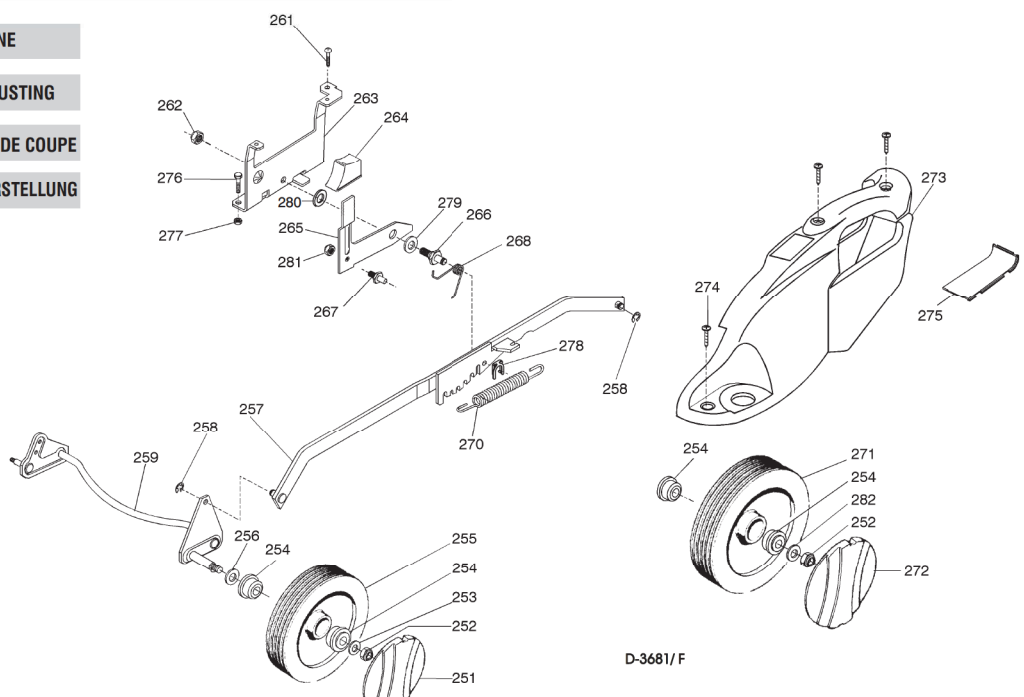
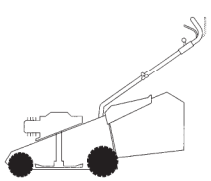
Pos. Nr.	Codice Code Kodex	Q.tà Q.ty-Q.tè Menge	Descrizione	Description	Description	Beschreibung
1			CHASSIS	DECK	CHÂSSIS	GEHÄUSE
—	81001714/0	1	ROSSO	RED	ROUGE	ROTES
—	81001715/0	1	GIALLO	YELLOW	JAUNE	GELBES
—	81001716/0	1	VERDE	GREEN	VERT	GRÜNES
2	12155000/0	3	DADO	NUT	ECROU	MUTTER
3	12521350/0	3	RONDELLA	WASHER	RONDELLE	SCHEIBE
4	12691800/0	3	VITE	SCREW	VIS	SCHRAUBE
5	22060181/0	1	CARTER CINGHIA	BELT PROTECTION	PROTECTION COURROIE	RIEMENSCHUTZ
6	12728522/0	2	VITE	SCREW	VIS	SCHRAUBE
7	22785077/0	1	SUPPORTO INTERNO DX	R. INTERNAL SUPPORT	SUPPORT INTERNE DROIT	INNERE HALTERUNG RECHTS
8	22785076/0	2	SUPPORTO ESTERNO	EXTERNAL SUPPORT	SUPPORT EXTERNE	AUßERE HALTERUNG
9	22680006/1	3	RONDELLA	WASHER	RONDELLE	SCHEIBE
10	22399803/0	1	MANOPOLINA	KNOB	POIGNÉE	GRIFF
11	12293202/0	3	DADO	NUT	ECROU	MUTTER
12	81007033/0	1	PARTE INF. MANICO	LOWER HANDLE	PARTIE INF. MANCHERON	UNTERHOLM
13	81003801/0	1	MOLLA GUIDA	SPRING	RESSORT	FEDER
14	22399900/0	2	MANOPOLINA	KNOB	POIGNÉE	GRIFF
15	81007024/0	1	PARTE SUP. MANICO	UPPER HANDLE	PARTIE SUP. MANCHERON	OBERHOLM
16			CRUSCOTTO	DASH BOARD	CONSOLE	KONSOLE
—	22120154/0	1	ROSSO	RED	ROUGE	ROTE
—	22120152/0	1	GIALLO	YELLOW	JAUNE	GELBE
—	22120158/0	1	NERO	BLACK	NOIRE	SCHWARZE
17	22943006/0	1	VITE	SCREW	VIS	SCHRAUBE
18			ETICHETTA	LABEL	ETIQUETTE	ETIKETTE
—	14356743/0	1	(TECUMSEH-HONDA)	(TECUMSEH-HONDA)	(TECUMSEH-HONDA)	(TECUMSEH-HONDA)
—	14356744/0	1	(B&S)	(B&S)	(B&S)	(B&S)

Pos. Nr.	Codice Code Kodex	Q.tà Q.ty-Q.tè Menge	Descrizione	Description	Description	Beschreibung
19	81003291/ 2	1	LEVA FRENO MOTORE	BRAKE LEVER	LEVIER FREIN MOTEUR	MOTORBREMSEHEBEL
20	22291050/ 0	1	IMPUGNATURA MANICO	HANDGRIP	POIGNÉE	HANDGRIFF
—	22291051/ 0	1	NERA	BLACK	NOIRE	SCHWARZER
—	22291052/ 0	1	ROSSA	RED	ROUGE	RÖTER
—	22291052/ 0	1	GIALLA	YELLOW	JAUNE	GELBER
21	22041966/ 0	2	BOCCOLA	BUSH	DOUILLE	BUCHSE
22	12154510/ 0	1	DADO	NUT	ECROU	MUTTER
23	12523040/ 0	3	RONDELLA	WASHER	RONDELLE	SCHEIBE
24	81007280/ 2	1	ASS. LEVA + MANOPOLINA	LEVER + KNOB ASS. Y	ENS. LEVIER + POIGNÉE	HEBEL + GRIFF SATZ
25	12735105/ 0	2	VITE	SCREW	VIS	SCHRAUBE
26	12530060/ 0	1	RONDELLA ELASTICA	SPRING WASHER	RONDELLE ELASTIQUE	ELASTISCHE SCHEIBE
27	12791500/ 0	1	VITE	SCREW	VIS	SCHRAUBE
28	81003288/ 1	1	SUPPORTO	SUPPORT	SUPPORT	HALTER
29	22041965/ 0	1	VITE	SCREW	VIS	SCHRAUBE
30	22981467/ 0	1	PIASTRINA	PLAQUE	PLAQUETTE	PLATTE
31	81007160/ 0	1	CAVO ACCELERATORE	THROTTLE CABLE	CABLE ACCELERATEUR	BESCHLEUNIGER KABEL
32	81000629/ 0	1	CAVO FRENO MOTORE (TECUMSEH)	THREAD MOTOR BRAKE (TECUMSEH)	CABLE FREIN MOTEUR (TECUMSEH)	MOTORBREMSEKABEL (TECUMSEH)
—	81000631/ 0	1	(QUANTUM XM ES40)	(QUANTUM XM ES40)	(QUANTUM XM ES40)	(QUANTUM XM ES40)
—	81000641/ 0	1	(HONDA GCV 135-165)	(HONDA GCV 135-165)	(HONDA GCV 135-165)	(HONDA GCV 135-165)
33	22038399/ 0	2	BRONZINA	BUSH	DOUILLE	BUCHSE
34	12728460/ 0	1	VITE	SCREW	VIS	SCHRAUBE
35	12819201/ 0	1	VITE	SCREW	VIS	SCHRAUBE
36	22450270/ 0	1	MOLLA	SPRING	RESSORT	FEDER
37	22600023/ 2	1	PARASASSI	STONE-GUARD	PARE-PIERRES	PRALLBLECH
38	22517857/ 0	1	PERNO	PIN	PIVOT	BOLZEN
39	12436050/ 0	1	PIASTRINA	PLATE	PLAQUETTE	PLATTE
40	12729600/ 0	1	VITE	SCREW	VIS	SCHRAUBE
41	12789000/ 0	1	VITE	SCREW	VIS	SCHRAUBE
42	22108205/ 0	1	CONVOGLIATORE	CONVEYOR	CONVOYEUR	KONVEYOR
43	12523020/ 0	1	RONDELLA	WASHER	RONDELLE	SCHEIBE
44	12154330/ 0	1	DADO	NUT	ECROU	MUTTER
45	22785078/ 0	1	SUPPORTO INTERNO SX	L. INTERNAL SUPPORT	SUPPORT INTERNE GAUCHE	INNERE HALTERUNG LINKS
46	22595352/ 0	1	PORTINA CHIUSURA	ISPECTION DOOR	VOYANT DE VISITE	ABDECKPLATTE
47	81001208/ 1	1	PERNO	PIN	PIVOT	BOLZEN
48	22545152/ 0	2	PIASTRINA	PLATE	PLAQUETTE	PLATTE
49	19035000/ 0	1	ANELLO OR	OR RING	BAGUE OR	RING OR
50	12731350/ 0	8	VITE	SCREW	VIS	SCHRAUBE
51	22034000/ 0	1	ATTACCO ACQUA LAVAGGIO	WASHING CONNECTION	ATTAQUE LAVAGE	WASCHENVERBINDUNG
52	22038400/ 1	2	BRONZINA	BUSH	DOUILLE	BUCHSE
53	22545156/ 0	2	PIASTRINA	PLATE	PLAQUETTE	PLATTE
54	81003288/ 1	1	LEVA	LEVER	LEVIER	HEBEL
55	22014965/ 0	2	BUSSOLA	BUSH	DOUILLE	BUCHSE
56	22446190/ 0	2	MOLLA	SPRING	RESSORT	FEDER
—	81008621/ 0	1	DOTAZIONE VITERIA	SCREWS OUTFIT	DOTATION VISSERIE	SCHRAUBEN SATZ
—	81008609/ 0	1	DOTAZIONE CRUSCOTTO	DASH-BOARD OUTFIT	DOTATION CONSOLE	KONSOLE SATZ

T-3616/ C

	VARIANTI PER AVVIAMENTO ELETTRICO	PARTS FOR ELECTRIC START	COMPOSANTS POUR DÉMARRAGE ÉLECTRIQUE	ELEKTROSTART BESTANDTEILE
101	22517855/ 0	2	PERNO	PIVOT
102	12523000/ 0	2	RONDELLA	RONDELLE
103	12540020/ 0	2	RONDELLA	RONDELLE
104	18120050/ 0	1	BATTERIA	BATTERIE
105	18204110/ 0	1	CARICA BATTERIA	CHARGEUR DE BATTERIE
106	18450050/ 0	1	INTERRUTTORE	INTERRUPTEUR
107	18204190/ 2	1	CAVO AVVIAMENTO	CABLE DÉMARRAGE

**RUOTE E REGOLAZIONE**  
**WHEELS AND HEIGHT ADJUSTING**  
**ROUES ET REGLAGE HAUTER DE COUPE**  
**RÄDER UND SCHNITTHÖHEVERSTELLUNG**

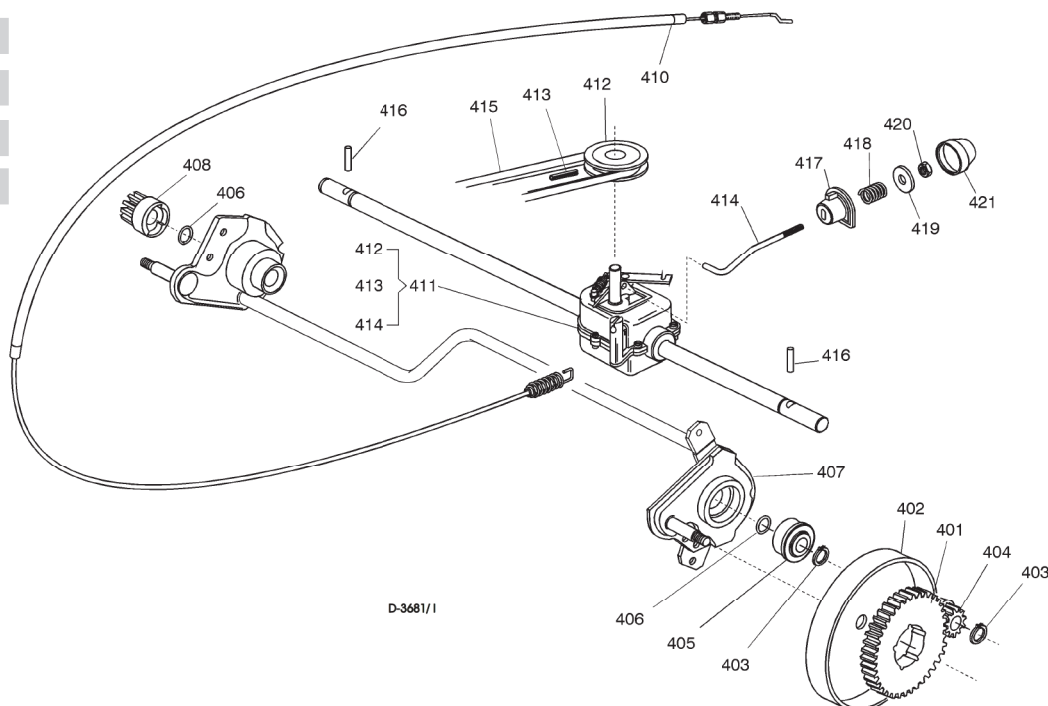
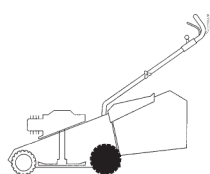


D-3681/ F

T-3681/1/F

Pos. Nr.	Codice Code Kodex	Q.tà Q.ty-Q.tè Menge	Descrizione	Description	Description	Beschreibung
251			COPRIMOZZO	HUB CAP	COUVRE-MOYEU	RADKAPPE
—	22110252/0	2	BIANCO Ø 170	WHITE Ø 170	BLANC Ø 170	WEIßE Ø 170
—	22110254/0	2	GIALLO Ø 170	YELLOW Ø 170	JAUNE Ø 170	GELBE Ø 170
—	22110255/0	2	ROSSO Ø 170	RED Ø 170	ROUGE Ø 170	ROTE RADKAPPE Ø 170
252	12155000/0	4	DADO	NUT	ECROU	MUTTER
253	12521350/0	4	RONDELLA	WASHER	RONDELLE	SCHEIBE
254	22122200/0	8	CUSCINETTO	BEARING	COUSSINET	LAGER
255	81007311/0	2	RUOTA Ø 170	WHEEL Ø 170	ROUE Ø 170	RAD. Ø 170
256	12530150/0	4	RONDELLA	WASHER	RONDELLE	SCHEIBE
257	81001135/0	1	ASTA	ROD	TIGE	STANGE
—	81001137/0	1	ASTA (HONDA GCV 135/ 160)	ROD (HONDA GCV 135/ 160)	TIGE (HONDA GCV 135/ 160)	STANGE (HONDA GCV 135/ 160)
258	12000930/0	2	ANELLO ELASTICO	ELASTIC RING	ANNEAU ELASTIQUE	ELASTISCHER RING
259	81002801/0	1	ASSE RUOTE ANTERIORI	FRONT WHEELS AXLE	AXE ROUES AVANT	VORDERRADACHSE1
261	12731350/0	1	VITE	SCREW	VIS	SCHRAUBE
262	12155000/0	1	DADO	NUT	ECROU	MUTTER
263	22785115/0	1	SUPPORTO REGOLAZIONE	ADJUSTMENT SUPPORT	SUPPORT REGLAGE	VERSTELLUNGHALTER
264	22602000/0	1	PULSANTE COMANDO LEVA	LEVER CONTROL PUSHBUTTON	BOUTON DE COMMANDE LEVIER	STUEHERHEBELDRUCKKNOPF
265	22322829/1	1	LEVA REGOLAZIONE	ADJUSTMENT LEVER	LEVIER REGLAGE	VERSTELLUNGHEBEL
266	22517880/1	1	PERNO	PIN	PIVOT	BOLZEN
267	22519746/0	1	PERNO	PIN	PIVOT	BOLZEN
268	22446176/0	1	MOLLA	SPRING	RESSORT	FEDER
270	22446180/0	1	MOLLA	SPRING	RESSORT	FEDER
271	81007313/1	2	RUOTA Ø 210	WHEEL Ø 210	ROUE Ø 210	RAD. Ø 210
272			COPRIMOZZO	HUB CAP	COUVRE-MOYEU	RADKAPPE
—	22110251/0	2	BIANCO Ø 210	WHITE Ø 210	BLANC Ø 210	WEIßE Ø 210
—	22110253/0	2	GIALLO Ø 210	YELLOW Ø 210	JAUNE Ø 210	GELBE Ø 210
—	22110256/0	2	ROSSO Ø 210	RED Ø 210	ROUGE Ø 210	ROTE Ø 210
273	22060146/0	1	CARTER REGOLAZIONE	ADJUSTMENT DECK	CHÂSSIS REGLAGE	VERSTELLUNGSGEHÄUSE
274	12728520/0	4	VITE	SCREW	VIS	SCHRAUBE
275	22546070/0	1	PIASTRINA	PLAQUE	PLAQUETTE	PLATTE
276	12793301/0	2	VITE	SCREW	VIS	SCHRAUBE
277	12293201/0	2	DADO	NUT	ECROU	MUTTER
278	12436050/0	1	ANELLO	RING	ANNEAU	RING
279	22672152/0	1	RONDELLA	WASHER	RONDELLE	SCHEIBE
280	22672151/0	1	RONDELLA	WASHER	RONDELLE	SCHEIBE
281	12154510/0	1	DADO	NUT	ECROU	MUTTER
282	12369500/0	2	DISCO ELASTICO	ELASTIC WASHER	RONDELLE ELASTIQUE	ELASTISCHE SCHEIBE

<b>GRUPPO TRAZIONE</b>
<b>REAR DRIVE</b>
<b>GROUPE TRACTION</b>
<b>ANTRIEB</b>



D-3681/I

T-3681/I

401	22120105/1	2	CORONA	RING GEAR	COURONNE	KRANZ
402	81006846/0	2	PROTEZIONE RUOTE	WHEEL GUARD	PROTECTION ROUE	RÄDERSCHUTZ
403	12608600/0	4	SEEGER	SEEGER	SEEGER	SEEGER
404	22570120/0	1	PIGNONE SINISTRO	LEFT PINION	PIGNON GAUCHE	LINKES RITZEL
405	22122200/0	2	CUSCINETTO	BEARING	ROULEMENT	KUGELLAGER
406	12019900/0	2	ANELLO OR	OR RING	BAGUE OR	RING OR
407	81002808/1	1	ASSE RUOTE POSTERIORI	REAR WHEELS AXLE	AXE ROUES ARRIERE	HINTERRADACHSE
408	22570110/0	1	PIGNONE DESTRO	RIGHT PINION	PIGNON DROITE	RECHTES RITZEL
410	81001145/0	1	ASS. COMANDO TRAZIONE	REAR DRIVE ASS.Y	ENS. COMMANDE TRACTION	ANTRIEBKABEL
411	81003070/0	1	ASS. GRUPPO TRAZIONE	GEAR BOX ASS.Y	ENS. GROUPE TRACTION	ANTRIEBSATZ
412	22601904/0	1	PULEGGIA	PULLEY	POULIE	RIEMENSCHLEIBE
413	12645705/0	1	SPINA	PIN	GOUPILLE	STIFT
414	22033281/0	1	ASTA REGOLAZIONE	ADJUSTMENT ROD	TIGE REGLAGE	VERSTELLUNGSTANGE
415	35064150/0	1	CINGHIA Z 32	BELT Z 32	COURROIRE Z 32	RIEMEN Z 32
416	22753000/0	2	SPINA	PIN	GOUPILLE	STIFT
417	22041957/0	1	BUSSOLA	BUSH	DOUILLE	BUCHSE
418	22450063/0	1	MOLLA	SPRING	RESSORT	FEDER

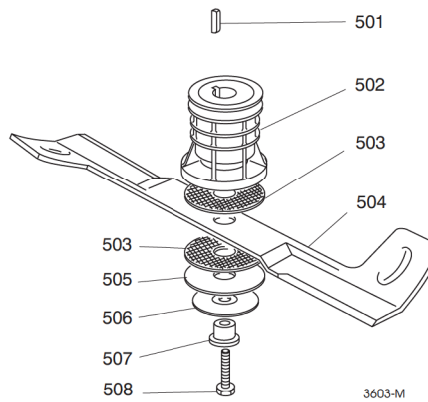
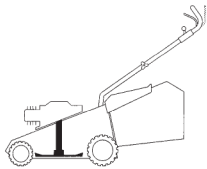
Pos. Nr.	Codice Code Kodex	Q.tà Q.ty-Q.tè Menge	Descrizione	Description	Description	Beschreibung
419	22680009/ 0	1	RONDELLA	WASHER	RONDELLE	SCHEIBE
420	12154510/ 0	1	DADO	NUT	ECROU	MUTTER
421	22110230/ 0	1	TAPPO	CAP	BOUCHON	GUMMISTOPFEN

**GRUPPO COLTELLO**

**BLADE ASS.Y**

**GROUPE LAME**

**MESSERSATZ**



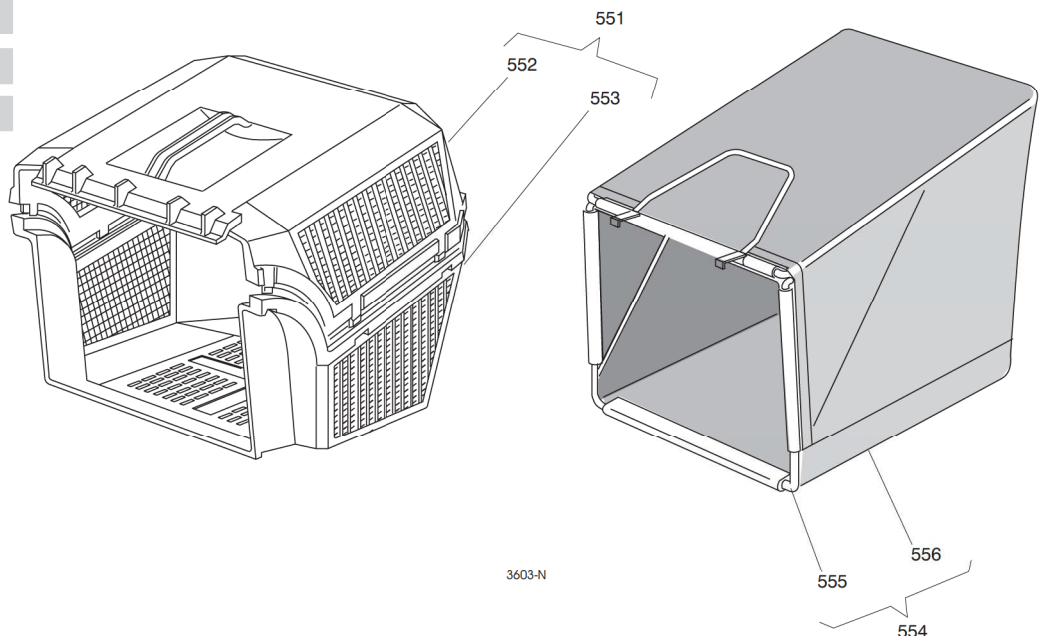
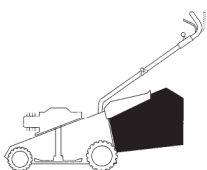
T-3640/ M	501	12139100/ 0	1	LINGUETTA	FEATHER	CLAVETTE	KEIL
	502	22465611/ 0	1	MOZZO	HUB	MOYEU	NABE
	503	22672110/ 1	2	RONDELLA FRIZIONE	CLUTCH WASHER	RONDELLE FRICTION	KUPPLUNGSSCHEIBE
	504	81004395/ 1	1	COLTELLO	BLADE	LAME	MESSER
	505	12508120/ 0	1	MOLLA A TAZZA	CUPPED SPRING	RESSORT	TELLER FEDER
	506	22672105/ 0	1	RONDELLA	WASHER	RONDELLE	SCHEIBE
	507	22041940/ 0	1	BUSSOLA FRIZIONE	CLUTCH BUSH	DOUILLE FRICTION	KUPPLUNGSSCHEIBE
	508	12736850/ 0	1	VITE	SCREW	VIS	SCHRAUBE

**SACCO RACCOGLIERBA**

**GRASS-CATCHER**

**BAC DE RAMASSAGE**

**GRASFANGKORB**



T-3640/ N	551	96500000/ 0	1	SACCO COMPLETO	COMPLETE GRASS-BOX	BAC COMPLETE	KOMPLETER KORB
	552	22486065/ 0	1	PORTE SUPER. SACCO	UPPER GRASS-BOX	PORTE SUPERIEURE SAC	OBERKORB
	553	22486064/ 0	1	PORTE INFER. SACCO	LOWER GRASS-BOX	PORTE INFERIEURE SAC	UNTERKORB
	554	96400000/ 0	1	ASS. SACCO TELA	CANVASS GRASSCATCHER ASS.Y	ENSEMBLE SAC EN TOILE	KOMPLETTER SACK
	555	81006430/ 0	1	TELAIO	CHASSIS	CHASSIS	RAHMEN
	556	81002124/ 0	1	TELA SACCO	FABRIC BOX	TOILE POUR SAC	TUCK FÜR SACK